

# THREE

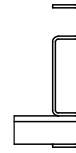


## ACCESSORIES

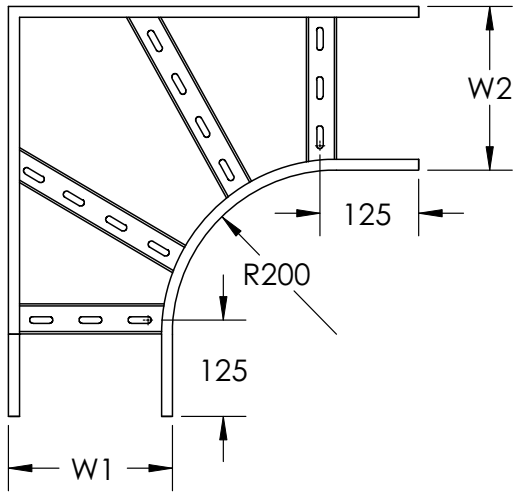
### LADDER TYPE



Side View of SLU Type

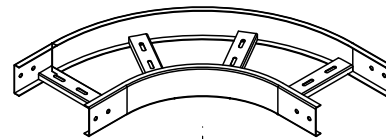
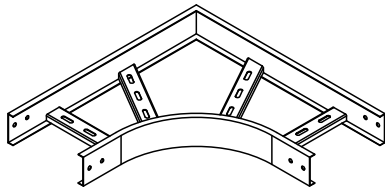


Side View of SLW Type

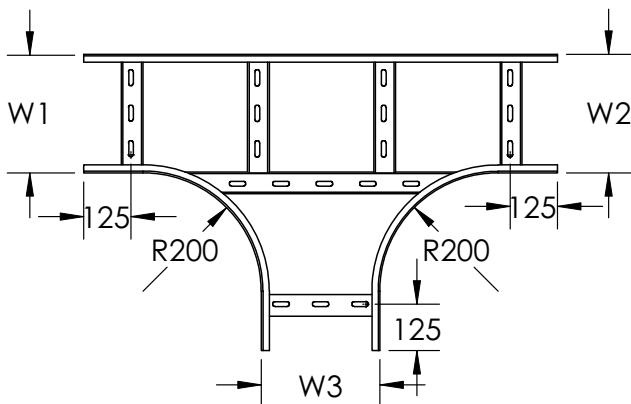


### FLATWISE ELBOW 90°

Part No SLU Type	Part No SLW Type
FLE-SLU 100	FLE-SLW 100
FLE-SLU 150	FLE-SLW 150
FLE-SLU 200	FLE-SLW 200
FLE-SLU 300	FLE-SLW 300
FLE-SLU 400	FLE-SLW 400
FLE-SLU 500	FLE-SLW 500
FLE-SLU 600	FLE-SLW 600
FLE-SLU 700	FLE-SLW 700
FLE-SLU 800	FLE-SLW 800
FLE-SLU 900	FLE-SLW 900
FLE-SLU 1000	FLE-SLW 1000

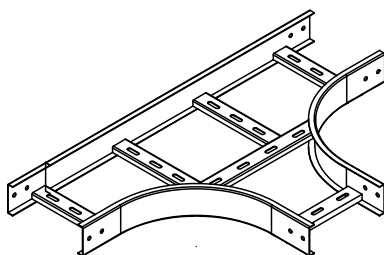


Also available in all round shape  
To order add "R-" in front Part No (R-FLE-SLU 300)



### EQUAL TEE

Part No SLU Type	Part No SLW Type
EQT-SLU 100	EQT-SLW 100
EQT-SLU 150	EQT-SLW 150
EQT-SLU 200	EQT-SLW 200
EQT-SLU 300	EQT-SLW 300
EQT-SLU 400	EQT-SLW 400
EQT-SLU 500	EQT-SLW 500
EQT-SLU 600	EQT-SLW 600
EQT-SLU 700	EQT-SLW 700
EQT-SLU 800	EQT-SLW 800
EQT-SLU 900	EQT-SLW 900
EQT-SLU 1000	EQT-SLW 1000



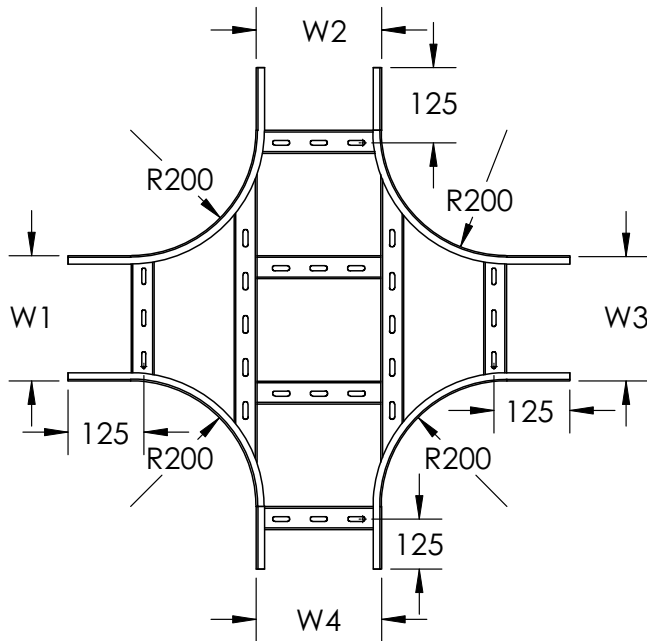
# THREE



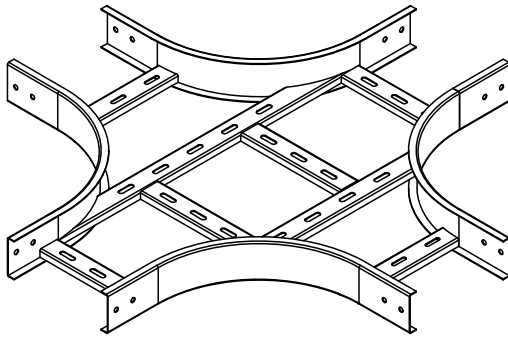
## ACCESSORIES

## LADDER TYPE

### FLATWISE CROSS



Part No SLU Type	Part No SLW Type
FLC-SLU 100	FLC-SLW 100
FLC-SLU 150	FLC-SLW 150
FLC-SLU 200	FLC-SLW 200
FLC-SLU 300	FLC-SLW 300
FLC-SLU 400	FLC-SLW 400
FLC-SLU 500	FLC-SLW 500
FLC-SLU 600	FLC-SLW 600
FLC-SLU 700	FLC-SLW 700
FLC-SLU 800	FLC-SLW 800
FLC-SLU 900	FLC-SLW 900
FLC-SLU 1000	FLC-SLW 1000



For unequal width, the naming system becomes as follow:

"Accessories type" - "Side Rail Type" "Width 1"/"Width 2"/"Width 3"/"Width 4"

For example, FLC-SLU 800/600/800/600 for Flatwise Cross  
EQT-SLU 500/700/500 for Equal Tee

Naming system above are also valid for Tray Type that can be found on page 11 to 19

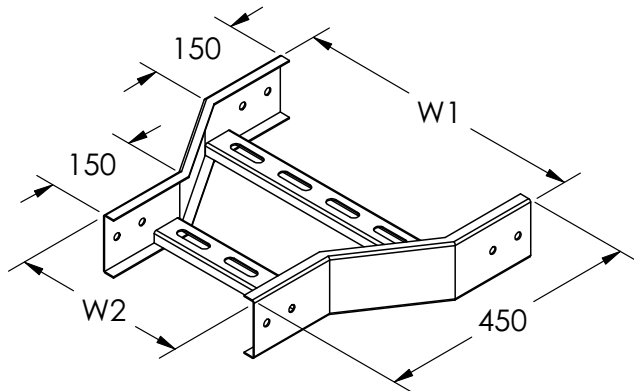
# THREE



## ACCESSORIES

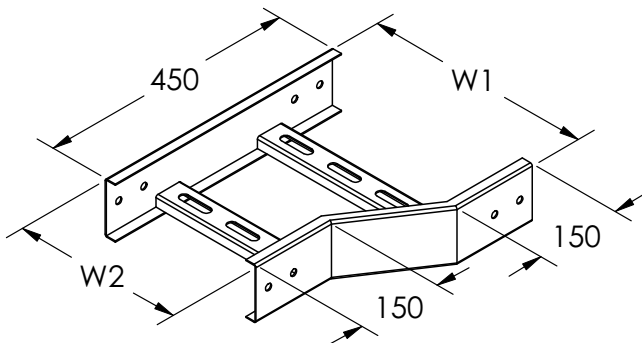
### LADDER TYPE

#### STRAIGHT REDUCER



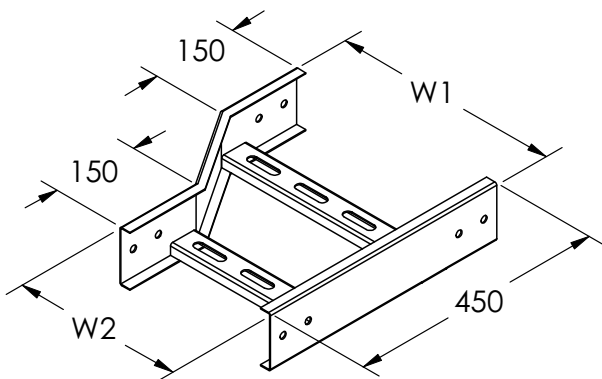
Part No SLU Type	Part No SLW Type
STR-SLU 200/100	STR-SLW 200/100
STR-SLU 300/150	STR-SLW 300/150
STR-SLU 400/200	STR-SLW 400/200
STR-SLU 500/300	STR-SLW 500/300
STR-SLU 500/400	STR-SLW 500/400
STR-SLU 600/400	STR-SLW 600/400
STR-SLU 600/500	STR-SLW 600/500
STR-SLU 700/500	STR-SLW 700/500
STR-SLU 800/700	STR-SLW 800/700
STR-SLU 900/700	STR-SLW 900/700
STR-SLU 900/800	STR-SLW 900/800
STR-SLU 1000/800	STR-SLW 1000/800

#### RIGHT HAND REDUCER



Part No SLU Type	Part No SLW Type
RIR-SLU 200/100	RIR-SLW 200/100
RIR-SLU 300/150	RIR-SLW 300/150
RIR-SLU 400/200	RIR-SLW 400/200
RIR-SLU 500/300	RIR-SLW 500/300
RIR-SLU 500/400	RIR-SLW 500/400
RIR-SLU 600/400	RIR-SLW 600/400
RIR-SLU 600/500	RIR-SLW 600/500
RIR-SLU 700/500	RIR-SLW 700/500
RIR-SLU 800/700	RIR-SLW 800/700
RIR-SLU 900/700	RIR-SLW 900/700
RIR-SLU 900/800	RIR-SLW 900/800
RIR-SLU 1000/800	RIR-SLW 1000/800

#### LEFT HAND REDUCER



Part No SLU Type	Part No SLW Type
LER-SLU 200/100	LER-SLW 200/100
LER-SLU 300/150	LER-SLW 300/150
LER-SLU 400/200	LER-SLW 400/200
LER-SLU 500/300	LER-SLW 500/300
LER-SLU 500/400	LER-SLW 500/400
LER-SLU 600/400	LER-SLW 600/400
LER-SLU 600/500	LER-SLW 600/500
LER-SLU 700/500	LER-SLW 700/500
LER-SLU 800/700	LER-SLW 800/700
LER-SLU 900/700	LER-SLW 900/700
LER-SLU 900/800	LER-SLW 900/800
LER-SLU 1000/800	LER-SLW 1000/800

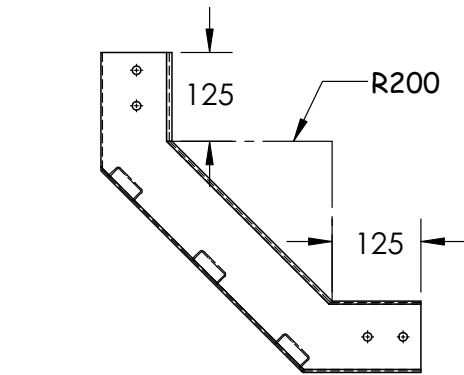
# THREE



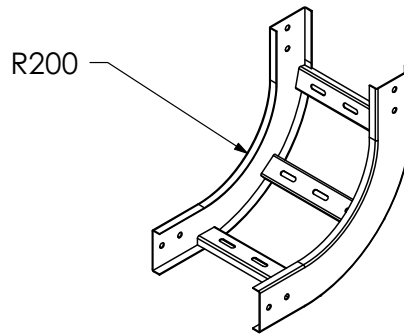
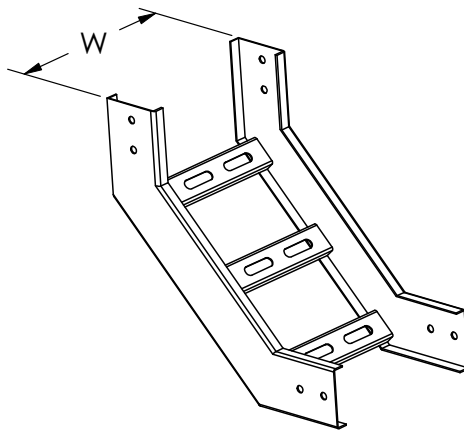
## ACCESSORIES

### LADDER TYPE

#### INSIDE RISER 90°

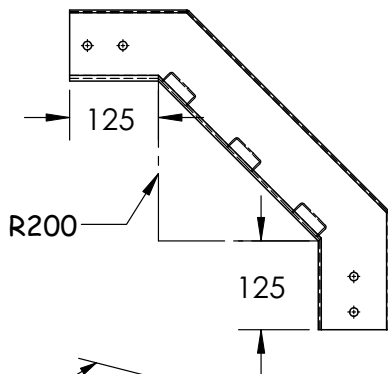


Part No SLU Type	Part No SLW Type
INR-SLU 100	INR-SLW 100
INR-SLU 150	INR-SLW 150
INR-SLU 200	INR-SLW 200
INR-SLU 300	INR-SLW 300
INR-SLU 400	INR-SLW 400
INR-SLU 500	INR-SLW 500
INR-SLU 600	INR-SLW 600
INR-SLU 700	INR-SLW 700
INR-SLU 800	INR-SLW 800
INR-SLU 900	INR-SLW 900
INR-SLU 1000	INR-SLW 1000

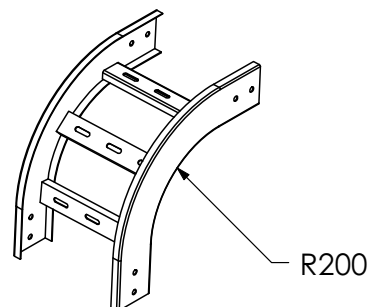
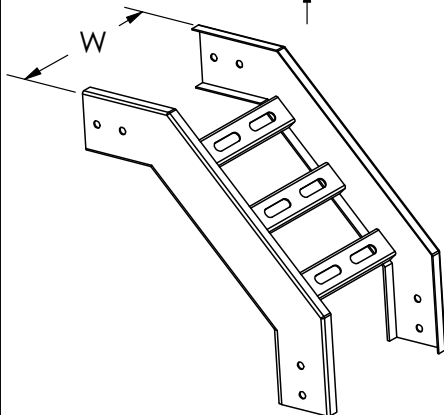


Also available in all round shape (Only for SLU Type)  
To order add "R-" in front Part No (R-INR-SLU 300)

#### OUTSIDE RISER 90°



Part No SLU Type	Part No SLW Type
OUR-SLU 100	OUR-SLW 100
OUR-SLU 150	OUR-SLW 150
OUR-SLU 200	OUR-SLW 200
OUR-SLU 300	OUR-SLW 300
OUR-SLU 400	OUR-SLW 400
OUR-SLU 500	OUR-SLW 500
OUR-SLU 600	OUR-SLW 600
OUR-SLU 700	OUR-SLW 700
OUR-SLU 800	OUR-SLW 800
OUR-SLU 900	OUR-SLW 900
OUR-SLU 1000	OUR-SLW 1000



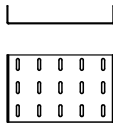
Also available in all round shape (Only for SLU Type)  
To order add "R-" in front Part No (R-OUR-SLU 300)

# THREE

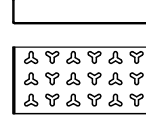


## ACCESSORIES

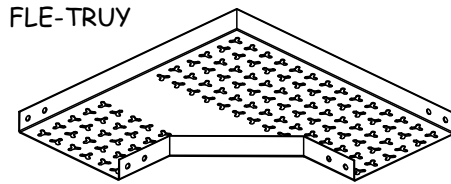
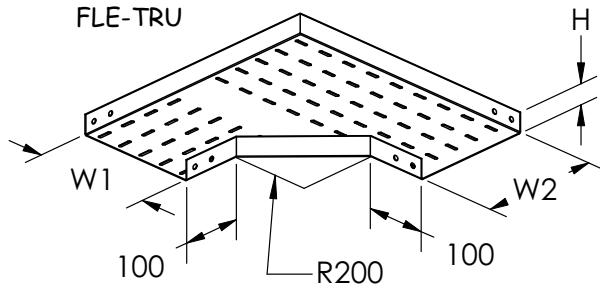
### TRAY TYPE



Perforated Pattern of TRU Type



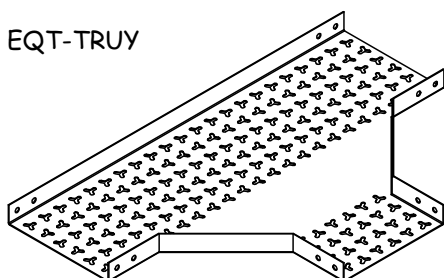
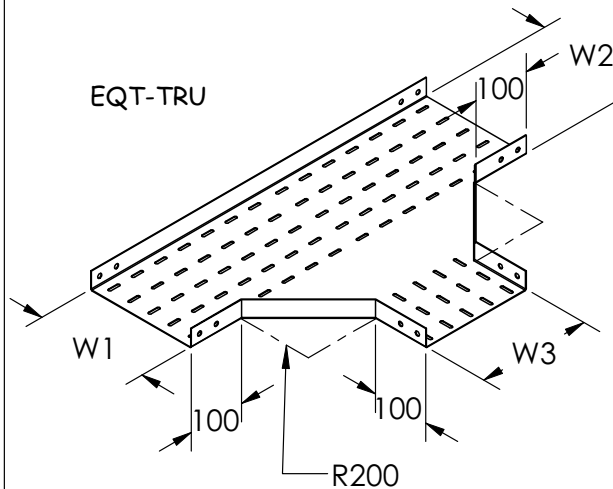
Perforated Pattern of TRUY Type



### FLATWISE ELBOW 90°

Part No TRU Type	Part No TRUY Type	Height (mm)
FLE-TRU 100	FLE-TRUY 100	50 / 100
FLE-TRU 150	FLE-TRUY 150	50 / 100
FLE-TRU 200	FLE-TRUY 200	50 / 100
FLE-TRU 300	FLE-TRUY 300	50 / 100
FLE-TRU 400	FLE-TRUY 400	50 / 100
FLE-TRU 500	FLE-TRUY 500	50 / 100
FLE-TRU 600	FLE-TRUY 600	50 / 100
FLE-TRU 700	FLE-TRUY 700	50 / 100
FLE-TRU 800	FLE-TRUY 800	50 / 100
FLE-TRU 900	FLE-TRUY 900	50 / 100
FLE-TRU 1000	FLE-TRUY 1000	50 / 100

Also available in all round shape  
To order add "R-" in front Part No  
(R-FLE-TRU 500)



### EQUAL TEE

Part No TRU Type	Part No TRUY Type	Height (mm)
EQT-TRU 100	EQT-TRUY 100	50 / 100
EQT-TRU 150	EQT-TRUY 150	50 / 100
EQT-TRU 200	EQT-TRUY 200	50 / 100
EQT-TRU 300	EQT-TRUY 300	50 / 100
EQT-TRU 400	EQT-TRUY 400	50 / 100
EQT-TRU 500	EQT-TRUY 500	50 / 100
EQT-TRU 600	EQT-TRUY 600	50 / 100
EQT-TRU 700	EQT-TRUY 700	50 / 100
EQT-TRU 800	EQT-TRUY 800	50 / 100
EQT-TRU 900	EQT-TRUY 900	50 / 100
EQT-TRU 1000	EQT-TRUY 1000	50 / 100

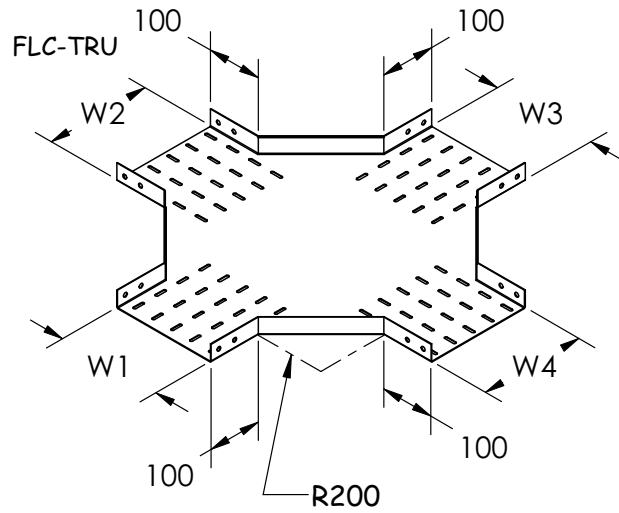
Also available in all round shape  
To order add "R-" in front Part No  
(R-EQT-TRU 500)

# THREE



## ACCESSORIES

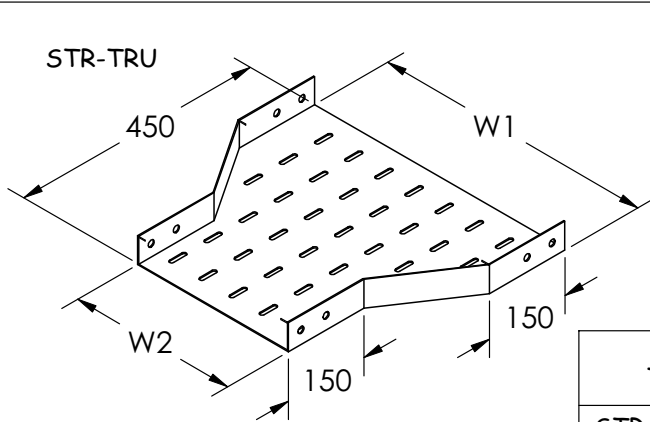
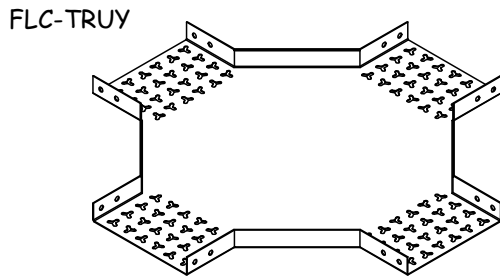
### TRAY TYPE



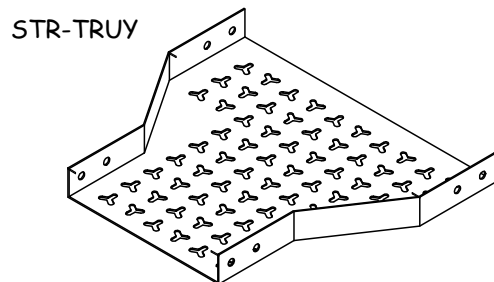
### FLATWISE CROSS

Part No TRU Type	Part No TRUY Type	Height (mm)
FLC-TRU 100	FLC-TRUY 100	50 / 100
FLC-TRU 150	FLC-TRUY 150	50 / 100
FLC-TRU 200	FLC-TRUY 200	50 / 100
FLC-TRU 300	FLC-TRUY 300	50 / 100
FLC-TRU 400	FLC-TRUY 400	50 / 100
FLC-TRU 500	FLC-TRUY 500	50 / 100
FLC-TRU 600	FLC-TRUY 600	50 / 100
FLC-TRU 700	FLC-TRUY 700	50 / 100
FLC-TRU 800	FLC-TRUY 800	50 / 100
FLC-TRU 900	FLC-TRUY 900	50 / 100
FLC-TRU 1000	FLC-TRUY 1000	50 / 100

Also available in all round shape  
To order add "R-" in front Part No  
(R-FLC-TRU 800)



### STRAIGHT REDUCER



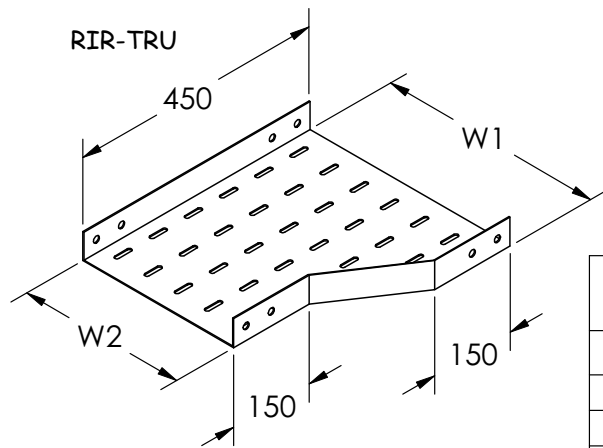
Part No TRU Type	Part No TRUY Type	Height (mm)
STR-TRU 200/100	STR-TRUY 200/100	50 / 100
STR-TRU 300/150	STR-TRUY 300/150	50 / 100
STR-TRU 400/200	STR-TRUY 400/200	50 / 100
STR-TRU 500/300	STR-TRUY 500/300	50 / 100
STR-TRU 500/400	STR-TRUY 500/400	50 / 100
STR-TRU 600/400	STR-TRUY 600/400	50 / 100
STR-TRU 600/500	STR-TRUY 600/500	50 / 100
STR-TRU 700/500	STR-TRUY 700/500	50 / 100
STR-TRU 800/700	STR-TRUY 800/700	50 / 100
STR-TRU 900/700	STR-TRUY 900/700	50 / 100
STR-TRU 900/800	STR-TRUY 900/800	50 / 100
STR-TRU 1000/800	STR-TRUY 1000/800	50 / 100

# THREE

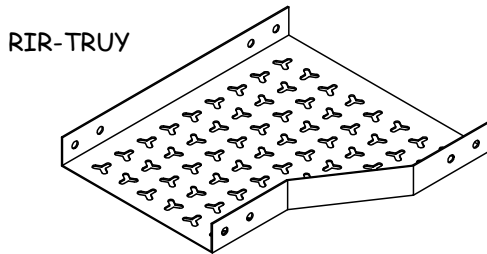


## ACCESSORIES

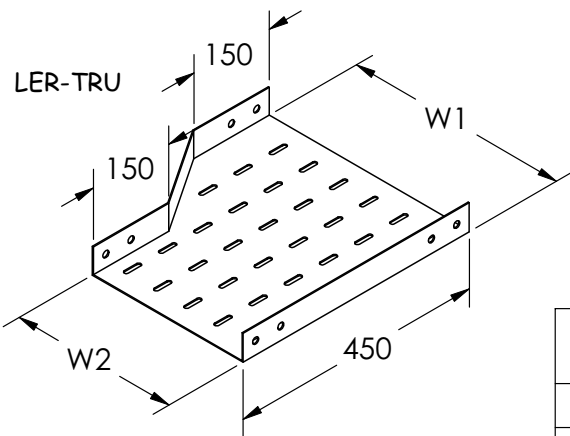
### TRAY TYPE



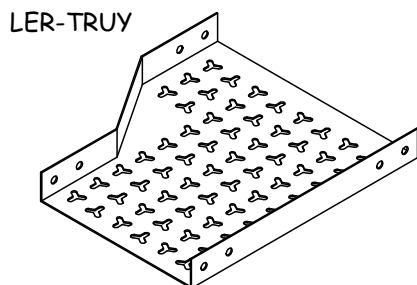
### RIGHT HAND REDUCER



Part No TRU Type	Part No TRUY Type	Height (mm)
RIR-TRU 200/100	RIR-TRUY 200/100	50 / 100
RIR-TRU 300/150	RIR-TRUY 300/150	50 / 100
RIR-TRU 400/200	RIR-TRUY 400/200	50 / 100
RIR-TRU 500/300	RIR-TRUY 500/300	50 / 100
RIR-TRU 500/400	RIR-TRUY 500/400	50 / 100
RIR-TRU 600/400	RIR-TRUY 600/400	50 / 100
RIR-TRU 600/500	RIR-TRUY 600/500	50 / 100
RIR-TRU 700/500	RIR-TRUY 700/500	50 / 100
RIR-TRU 800/700	RIR-TRUY 800/700	50 / 100
RIR-TRU 900/700	RIR-TRUY 900/700	50 / 100
RIR-TRU 900/800	RIR-TRUY 900/800	50 / 100
RIR-TRU 1000/800	RIR-TRUY 1000/800	50 / 100



### LEFT HAND REDUCER



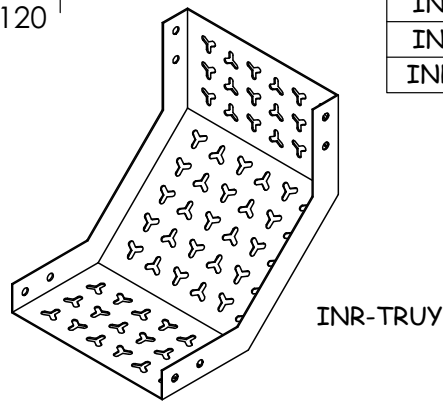
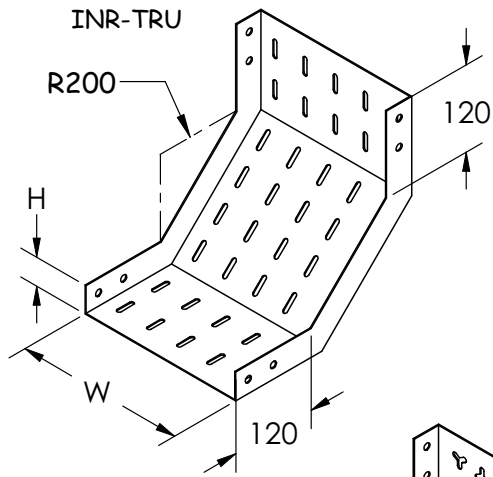
Part No TRU Type	Part No TRUY Type	Height (mm)
LER-TRU 200/100	LER-TRUY 200/100	50 / 100
LER-TRU 300/150	LER-TRUY 300/150	50 / 100
LER-TRU 400/200	LER-TRUY 400/200	50 / 100
LER-TRU 500/300	LER-TRUY 500/300	50 / 100
LER-TRU 500/400	LER-TRUY 500/400	50 / 100
LER-TRU 600/400	LER-TRUY 600/400	50 / 100
LER-TRU 600/500	LER-TRUY 600/500	50 / 100
LER-TRU 700/500	LER-TRUY 700/500	50 / 100
LER-TRU 800/700	LER-TRUY 800/700	50 / 100
LER-TRU 900/700	LER-TRUY 900/700	50 / 100
LER-TRU 900/800	LER-TRUY 900/800	50 / 100
LER-TRU 1000/800	LER-TRUY 1000/800	50 / 100

# THREE



## ACCESSORIES

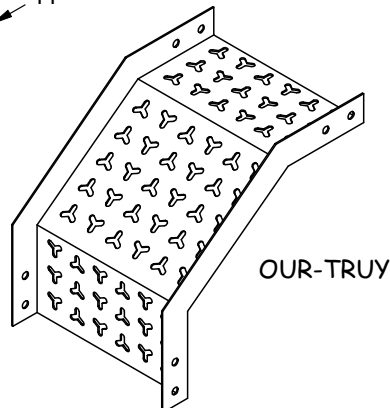
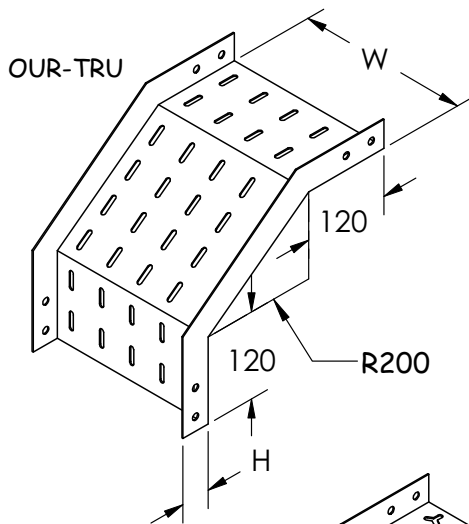
### TRAY TYPE



### INSIDE RISER 90°

Part No TRU Type	Part No TRUY Type	Height (mm)
INR-TRU 100	INR-TRUY 100	50 / 100
INR-TRU 150	INR-TRUY 150	50 / 100
INR-TRU 200	INR-TRUY 200	50 / 100
INR-TRU 300	INR-TRUY 300	50 / 100
INR-TRU 400	INR-TRUY 400	50 / 100
INR-TRU 500	INR-TRUY 500	50 / 100
INR-TRU 600	INR-TRUY 600	50 / 100
INR-TRU 700	INR-TRUY 700	50 / 100
INR-TRU 800	INR-TRUY 800	50 / 100
INR-TRU 900	INR-TRUY 900	50 / 100
INR-TRU 1000	INR-TRUY 1000	50 / 100

Also available in all round shape  
To order add "R-" in front Part No  
(R-INR-TRU 500)



### OUTSIDE RISER 90°

Part No TRU Type	Part No TRUY Type	Height (mm)
OUR-TRU 100	OUR-TRUY 100	50 / 100
OUR-TRU 150	OUR-TRUY 150	50 / 100
OUR-TRU 200	OUR-TRUY 200	50 / 100
OUR-TRU 300	OUR-TRUY 300	50 / 100
OUR-TRU 400	OUR-TRUY 400	50 / 100
OUR-TRU 500	OUR-TRUY 500	50 / 100
OUR-TRU 600	OUR-TRUY 600	50 / 100
OUR-TRU 700	OUR-TRUY 700	50 / 100
OUR-TRU 800	OUR-TRUY 800	50 / 100
OUR-TRU 900	OUR-TRUY 900	50 / 100
OUR-TRU 1000	OUR-TRUY 1000	50 / 100

Also available in all round shape  
To order add "R-" in front Part No  
(R-OUR-TRU 500)

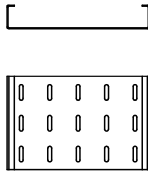


# THREE

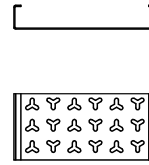


## ACCESSORIES

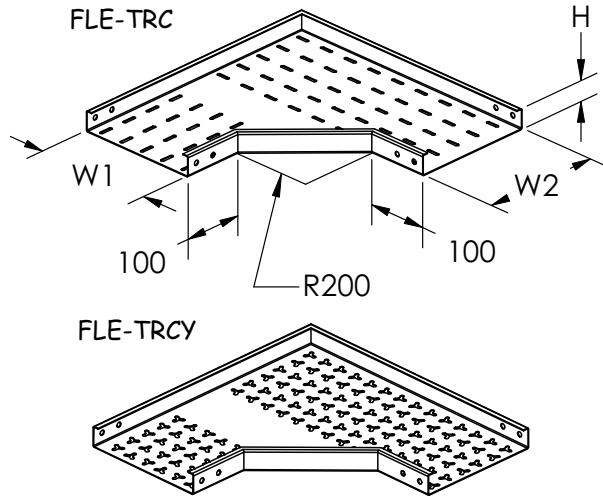
### TRAY TYPE



Perforated Pattern of TRC Type



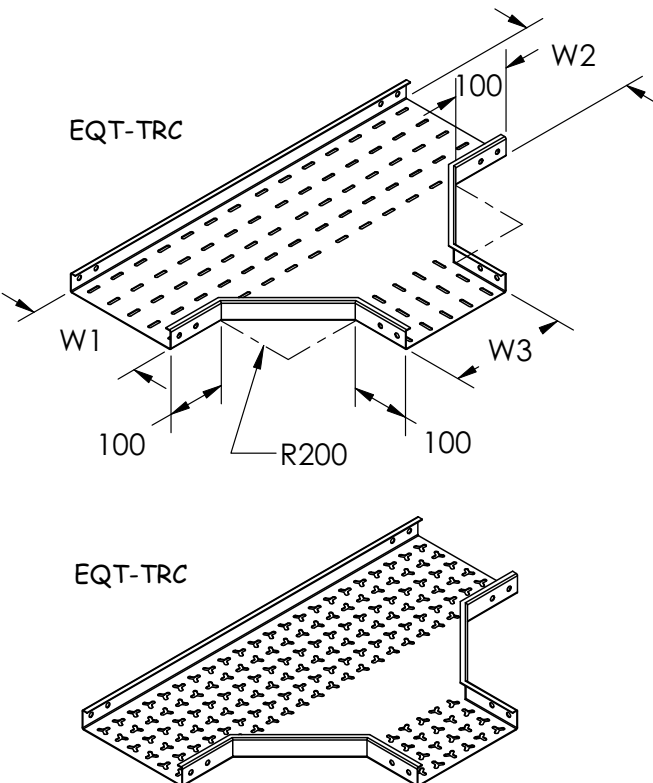
Perforated Pattern of TRCY Type



### FLATWISE ELBOW 90°

Part No TRC Type	Part No TRCY Type	Height (mm)
FLE-TRC 100	FLE-TRCY 100	50 / 100
FLE-TRC 150	FLE-TRCY 150	50 / 100
FLE-TRC 200	FLE-TRCY 200	50 / 100
FLE-TRC 300	FLE-TRCY 300	50 / 100
FLE-TRC 400	FLE-TRCY 400	50 / 100
FLE-TRC 500	FLE-TRCY 500	50 / 100
FLE-TRC 600	FLE-TRCY 600	50 / 100
FLE-TRC 700	FLE-TRCY 700	50 / 100
FLE-TRC 800	FLE-TRCY 800	50 / 100
FLE-TRC 900	FLE-TRCY 900	50 / 100
FLE-TRC 1000	FLE-TRCY 1000	50 / 100

Also available in all round shape  
To order add "R-" in front Part No  
(R-FLE-TRC 500)



### EQUAL TEE

Part No TRC Type	Part No TRCY Type	Height (mm)
EQT-TRC 100	EQT-TRCY 100	50 / 100
EQT-TRC 150	EQT-TRCY 150	50 / 100
EQT-TRC 200	EQT-TRCY 200	50 / 100
EQT-TRC 300	EQT-TRCY 300	50 / 100
EQT-TRC 400	EQT-TRCY 400	50 / 100
EQT-TRC 500	EQT-TRCY 500	50 / 100
EQT-TRC 600	EQT-TRCY 600	50 / 100
EQT-TRC 700	EQT-TRCY 700	50 / 100
EQT-TRC 800	EQT-TRCY 800	50 / 100
EQT-TRC 900	EQT-TRCY 900	50 / 100
EQT-TRC 1000	EQT-TRCY 1000	50 / 100

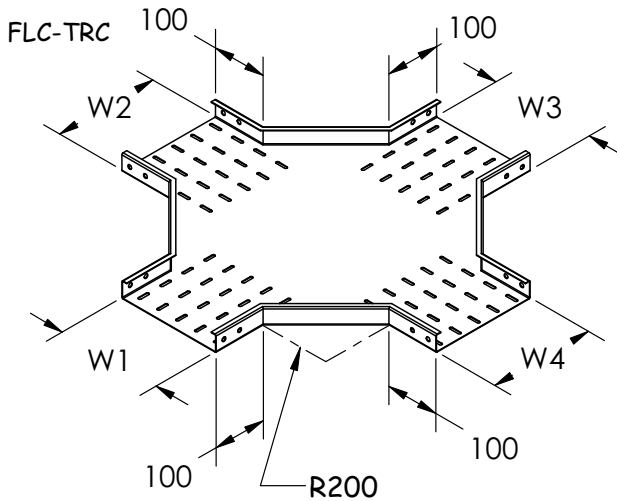
Also available in all round shape  
To order add "R-" in front Part No  
(R-EQT-TRC 500)

# THREE



## ACCESSORIES

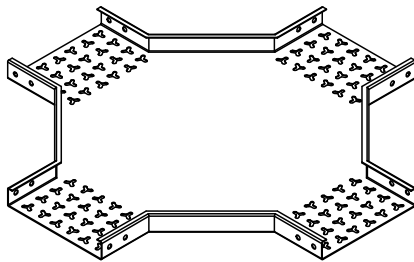
### TRAY TYPE



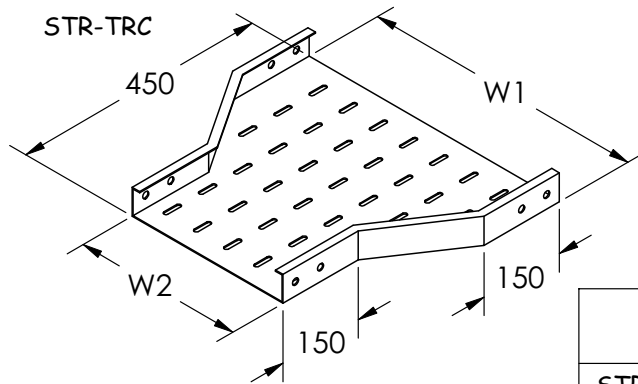
### FLATWISE CROSS

Part No TRC Type	Part No TRCY Type	Height (mm)
FLC-TRC 100	FLC-TRCY 100	50 / 100
FLC-TRC 150	FLC-TRCY 150	50 / 100
FLC-TRC 200	FLC-TRCY 200	50 / 100
FLC-TRC 300	FLC-TRCY 300	50 / 100
FLC-TRC 400	FLC-TRCY 400	50 / 100
FLC-TRC 500	FLC-TRCY 500	50 / 100
FLC-TRC 600	FLC-TRCY 600	50 / 100
FLC-TRC 700	FLC-TRCY 700	50 / 100
FLC-TRC 800	FLC-TRCY 800	50 / 100
FLC-TRC 900	FLC-TRCY 900	50 / 100
FLC-TRC 1000	FLC-TRCY 1000	50 / 100

FLC-TRCY



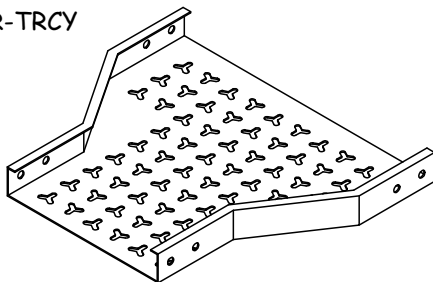
Also available in all round shape  
To order add "R-" in front Part No  
(R-FLC-TRC 300)



### STRAIGHT REDUCER

Part No TRC Type	Part No TRCY Type	Height (mm)
STR-TRC 200/100	STR-TRCY 200/100	50 / 100
STR-TRC 300/150	STR-TRCY 300/150	50 / 100
STR-TRC 400/200	STR-TRCY 400/200	50 / 100
STR-TRC 500/300	STR-TRCY 500/300	50 / 100
STR-TRC 500/400	STR-TRCY 500/400	50 / 100
STR-TRC 600/400	STR-TRCY 600/400	50 / 100
STR-TRC 600/500	STR-TRCY 600/500	50 / 100
STR-TRC 700/500	STR-TRCY 700/500	50 / 100
STR-TRC 800/700	STR-TRCY 800/700	50 / 100
STR-TRC 900/700	STR-TRCY 900/700	50 / 100
STR-TRC 900/800	STR-TRCY 900/800	50 / 100
STR-TRC 1000/800	STR-TRCY 1000/800	50 / 100

STR-TRCY

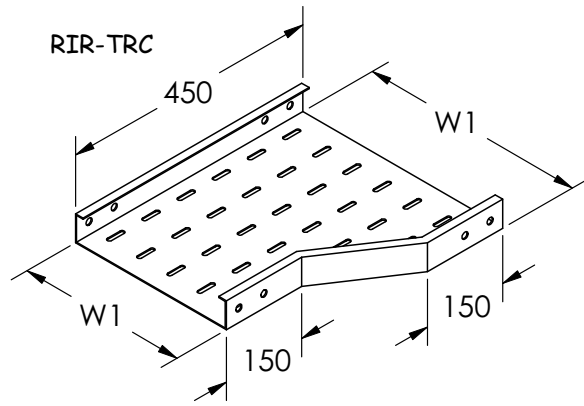


# THREE

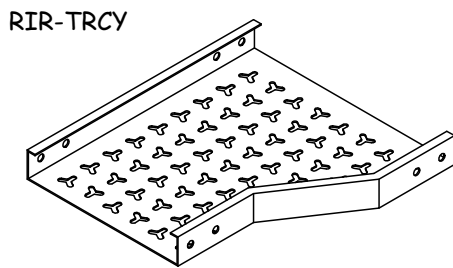


## ACCESSORIES

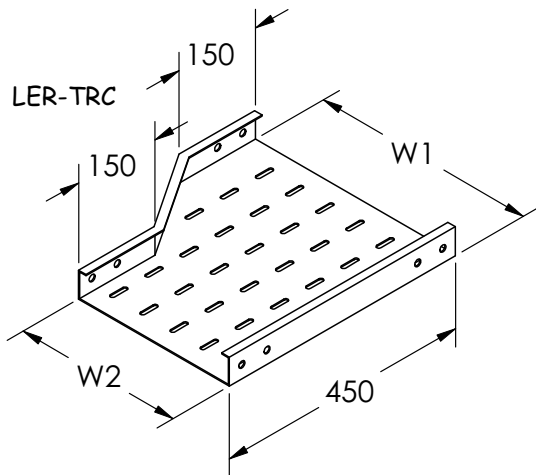
### TRAY TYPE



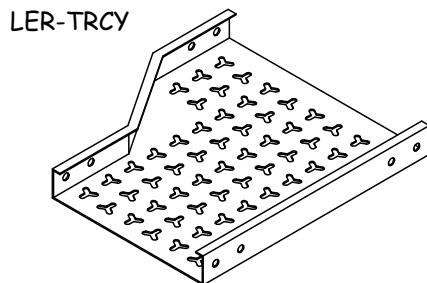
### RIGHT HAND REDUCER



Part No TRC Type	Part No TRCY Type	Height (mm)
RIR-TRC 200/100	RIR-TRCY 200/100	50 / 100
RIR-TRC 300/150	RIR-TRCY 300/150	50 / 100
RIR-TRC 400/200	RIR-TRCY 400/200	50 / 100
RIR-TRC 500/300	RIR-TRCY 500/300	50 / 100
RIR-TRC 500/400	RIR-TRCY 500/400	50 / 100
RIR-TRC 600/400	RIR-TRCY 600/400	50 / 100
RIR-TRC 600/500	RIR-TRCY 600/500	50 / 100
RIR-TRC 700/500	RIR-TRCY 700/500	50 / 100
RIR-TRC 800/700	RIR-TRCY 800/700	50 / 100
RIR-TRC 900/700	RIR-TRCY 900/700	50 / 100
RIR-TRC 900/800	RIR-TRCY 900/800	50 / 100
RIR-TRC 1000/800	RIR-TRCY 1000/800	50 / 100



### LEFT HAND REDUCER



Part No TRC Type	Part No TRCY Type	Height (mm)
LER-TRC 200/100	LER-TRCY 200/100	50 / 100
LER-TRC 300/150	LER-TRCY 300/150	50 / 100
LER-TRC 400/200	LER-TRCY 400/200	50 / 100
LER-TRC 500/300	LER-TRCY 500/300	50 / 100
LER-TRC 500/400	LER-TRCY 500/400	50 / 100
LER-TRC 600/400	LER-TRCY 600/400	50 / 100
LER-TRC 600/500	LER-TRCY 600/500	50 / 100
LER-TRC 700/500	LER-TRCY 700/500	50 / 100
LER-TRC 800/700	LER-TRCY 800/700	50 / 100
LER-TRC 900/700	LER-TRCY 900/700	50 / 100
LER-TRC 900/800	LER-TRCY 900/800	50 / 100
LER-TRC 1000/800	LER-TRCY 1000/800	50 / 100

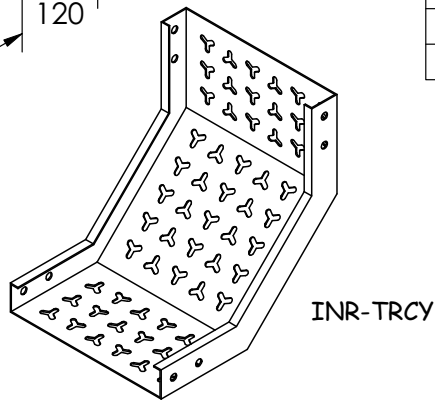
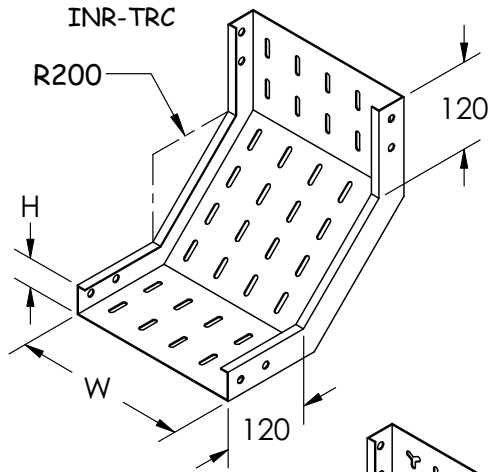
# THREE



## ACCESSORIES

### TRAY TYPE

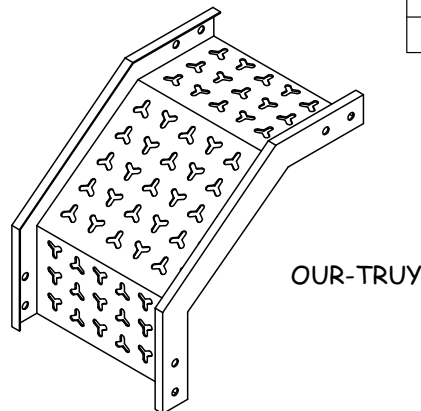
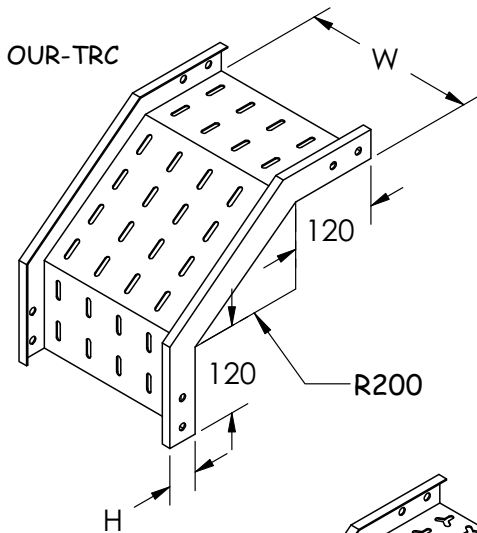
#### INSIDE RISER 90°



Part No TRC Type	Part No TRCY Type	Height (mm)
INR-TRC 100	INR-TRCY 100	50 / 100
INR-TRC 150	INR-TRCY 150	50 / 100
INR-TRC 200	INR-TRCY 200	50 / 100
INR-TRC 300	INR-TRCY 300	50 / 100
INR-TRC 400	INR-TRCY 400	50 / 100
INR-TRC 500	INR-TRCY 500	50 / 100
INR-TRC 600	INR-TRCY 600	50 / 100
INR-TRC 700	INR-TRCY 700	50 / 100
INR-TRC 800	INR-TRCY 800	50 / 100
INR-TRC 900	INR-TRCY 900	50 / 100
INR-TRC 1000	INR-TRCY 1000	50 / 100

Also available in all round shape  
To order add "R-" in front Part No  
(R-INR-TRC 500)

#### OUTSIDE RISER 90°



Part No TRC Type	Part No TRCY Type	Height (mm)
OUR-TRC 100	OUR-TRCY 100	50 / 100
OUR-TRC 150	OUR-TRCY 150	50 / 100
OUR-TRC 200	OUR-TRCY 200	50 / 100
OUR-TRC 300	OUR-TRCY 300	50 / 100
OUR-TRC 400	OUR-TRCY 400	50 / 100
OUR-TRC 500	OUR-TRCY 500	50 / 100
OUR-TRC 600	OUR-TRCY 600	50 / 100
OUR-TRC 700	OUR-TRCY 700	50 / 100
OUR-TRC 800	OUR-TRCY 800	50 / 100
OUR-TRC 900	OUR-TRCY 900	50 / 100
OUR-TRC 1000	OUR-TRCY 1000	50 / 100

Also available in all round shape  
To order add "R-" in front Part No  
(R-OUR-TRC 500)

# THREE

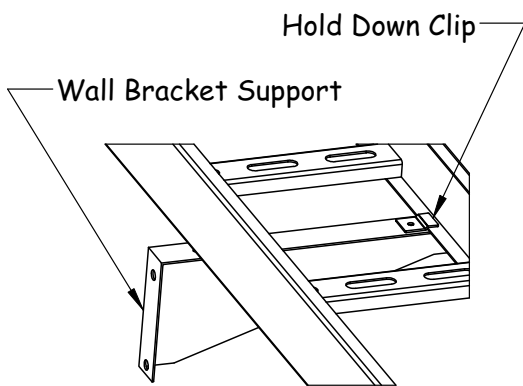
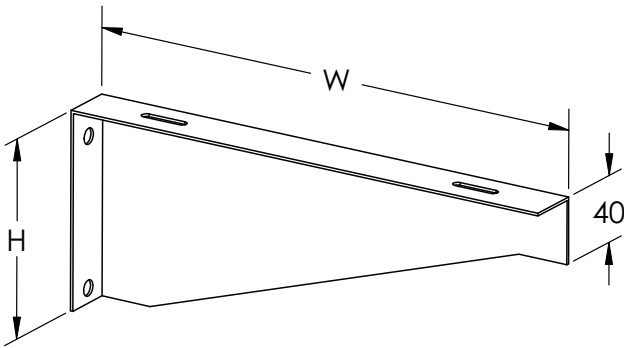


## ACCESSORIES

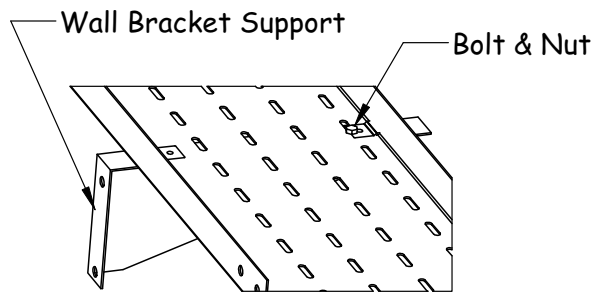
## SUPPORT

### WALL BRACKET SUPPORT

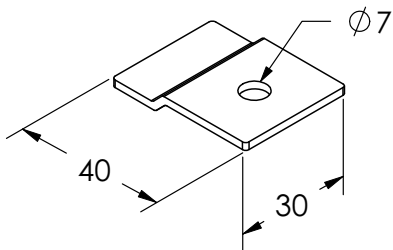
Part No	Height (mm)	Width (mm)	Thickness (mm)
BRS 100	100	190	2
BRS 150	100	240	2
BRS 200	120	290	2
BRS 300	150	390	2
BRS 400	200	490	3
BRS 500	250	590	3
BRS 600	270	690	3
BRS 700	300	790	3
BRS 800	350	890	3
BRS 900	350	990	3
BRS 1000	400	1090	3



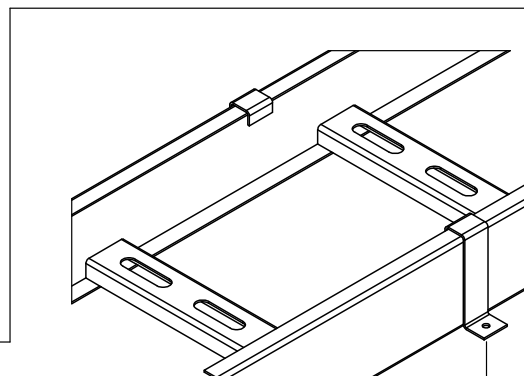
Ladder Type



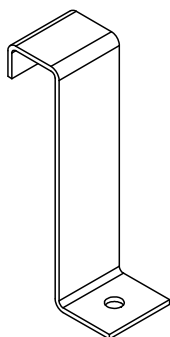
Tray Type



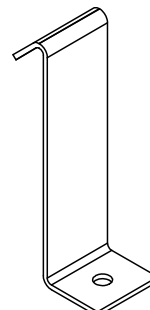
**HOLD DOWN CLIP**  
Ordering Code: HD-CL  
(used only for Ladder Type)



To be connected to  
-Wall bracket support  
-Hanger Beam



**HOLD DOWN CLAMP**  
Ordering Code: HD-CLP-L  
(used only for Ladder Type)



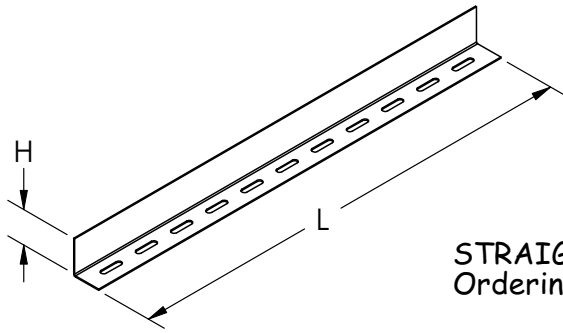
**HOLD DOWN CLAMP**  
Ordering Code: HD-CLP-T  
(used only for Tray Type)

# THREE

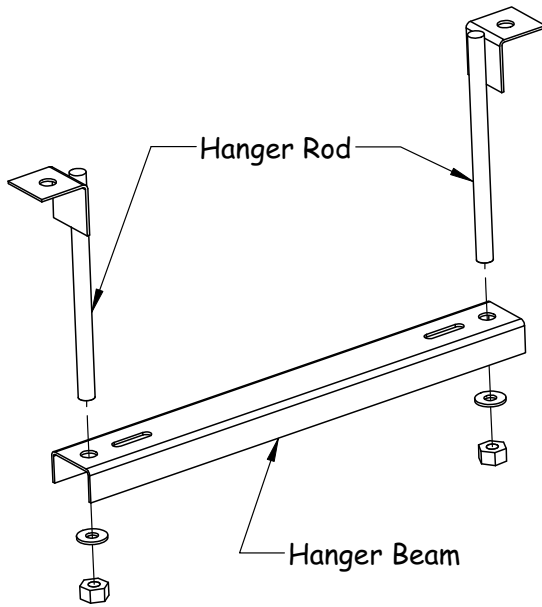


## ACCESSORIES

## SUPPORT

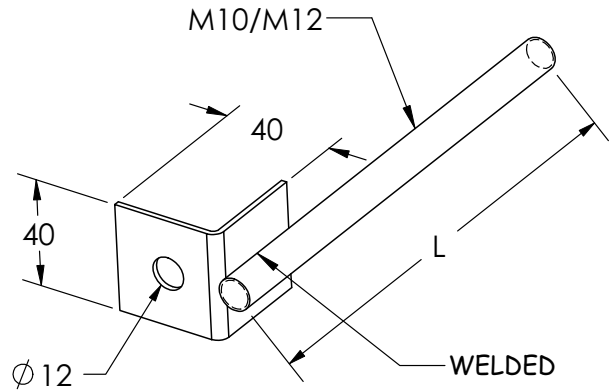


**STRAIGHT SEPARATOR**  
Ordering Code: SPR-L-H (SPR-1000-50)



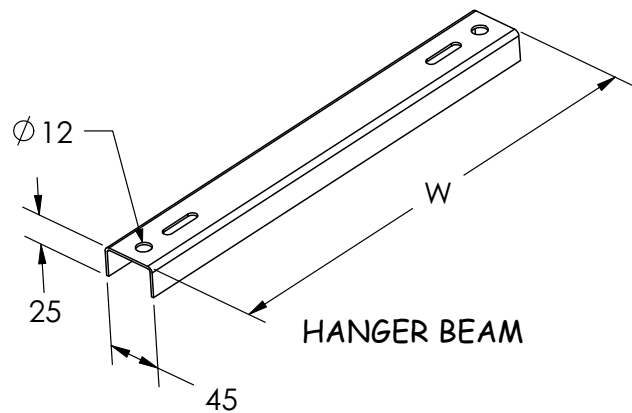
### HANGER SETS

Consists of:  
1 Hanger Beam and 2 Hanger Rods  
2 Washers and Nuts



**HANGER ROD**  
Ordering Code: HAR-M-L (HAR-M10-300)

Part No	Width (mm)
HAB 100	160
HAB 150	210
HAB 200	260
HAB 300	360
HAB 400	460
HAB 500	560
HAB 600	660
HAB 700	760
HAB 800	860
HAB 900	960
HAB 1000	1060

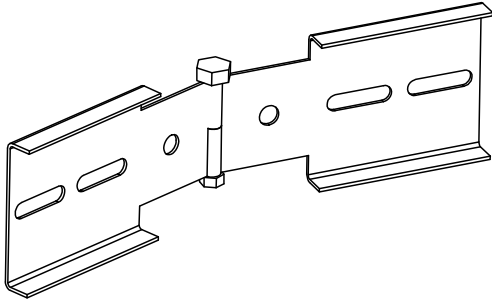


**THREE**

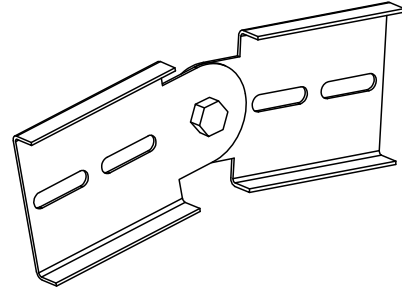


**ACCESSORIES**

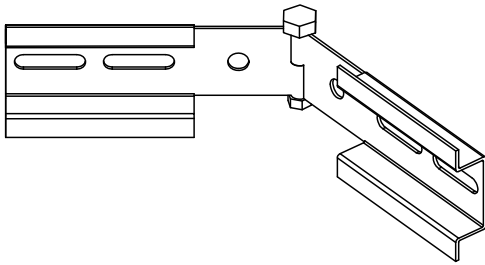
**JOINTING**



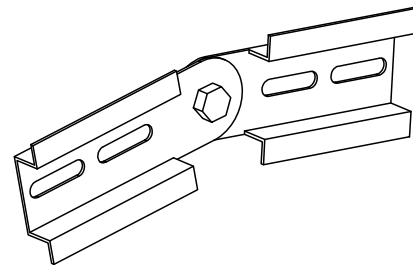
**HORIZONTAL HINGE**  
Ordering Code: HH



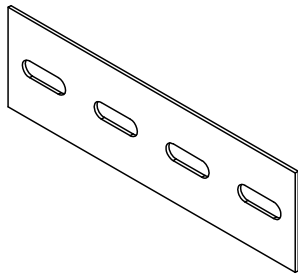
**VERTICAL HINGE**  
Ordering Code: VH



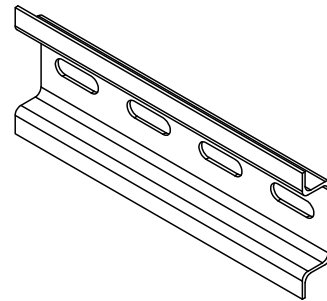
**HORIZONTAL HINGE (FOR SLW TYPE)**  
Ordering Code: HH-SLW



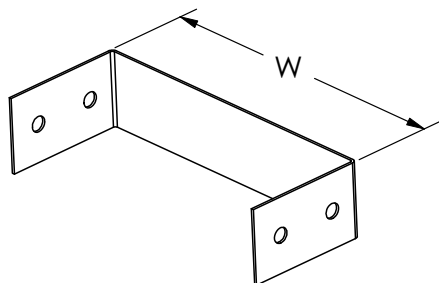
**VERTICAL HINGE (FOR SLW TYPE)**  
Ordering Code: VH-SLW



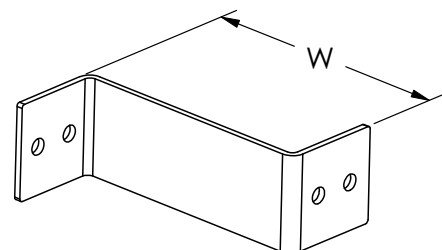
**STRAIGHT JOINT**  
Ordering Code: JP



**STRAIGHT JOINT (FOR SLW TYPE)**  
Ordering Code: JP-SLW



**END PLATE**  
Ordering Code: EP-W



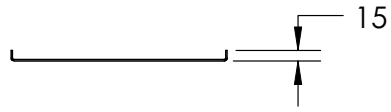
**REDUCER PLATE**  
Ordering Code: RP-W

# THREE



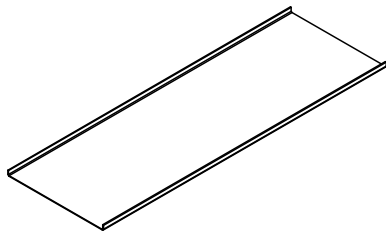
## ACCESSORIES

### COVER

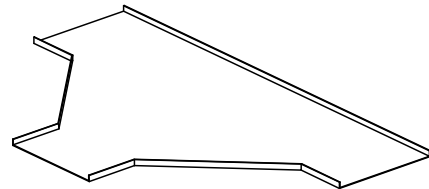


COVER CROSS SECTION

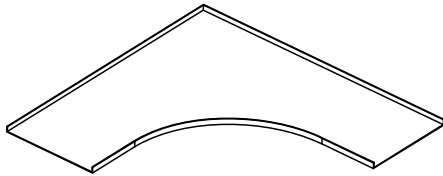
COVER NAMING SYSTEMS:  
ADD "C-" BEFORE THE LADDER OR TRAY CODE  
Eg: C-FLC-TRU 300  
C-SLU 500



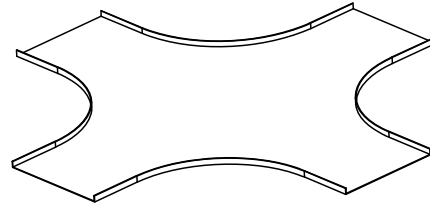
STRAIGHT COVER



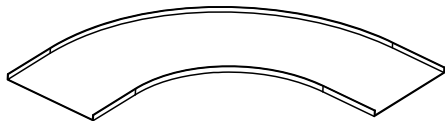
EQUAL TEE TRAY COVER



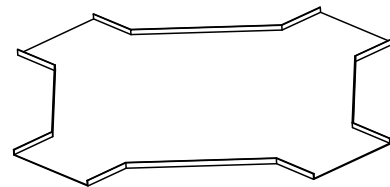
FLATWISE ELBOW LADDER COVER



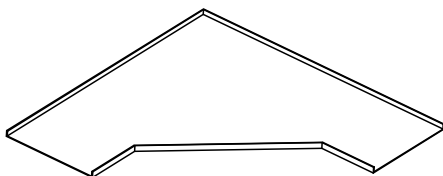
FLATWISE CROSS COVER



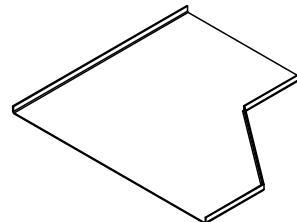
FLATWISE ELBOW COVER  
ALL ROUND



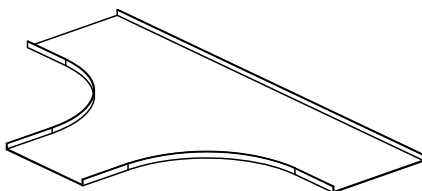
FLATWISE CROSS TRAY COVER



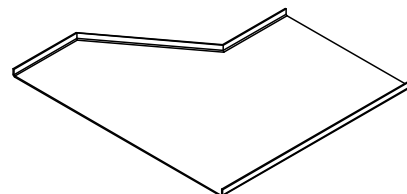
FLATWISE ELBOW TRAY COVER



RIGHT HAND REDUCER COVER



EQUAL TEE COVER



LEFT HAND REDUCER COVER

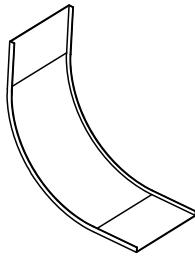


**THREE**

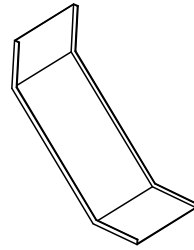


**ACCESSORIES**

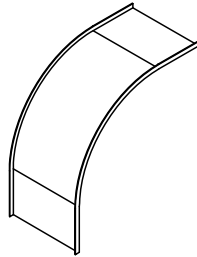
**COVER & COVER CLAMP SET**



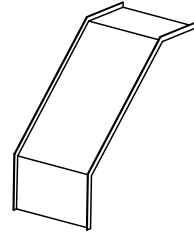
**OUTSIDE RISER COVER**



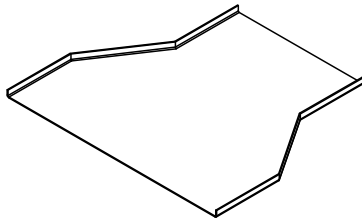
**OUTSIDE RISER TRAY COVER**



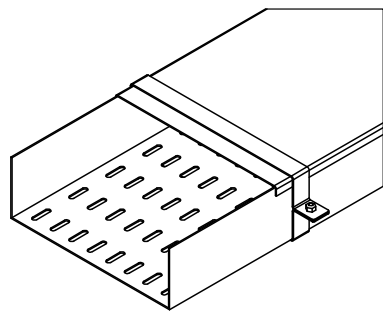
**INSIDE RISER COVER**



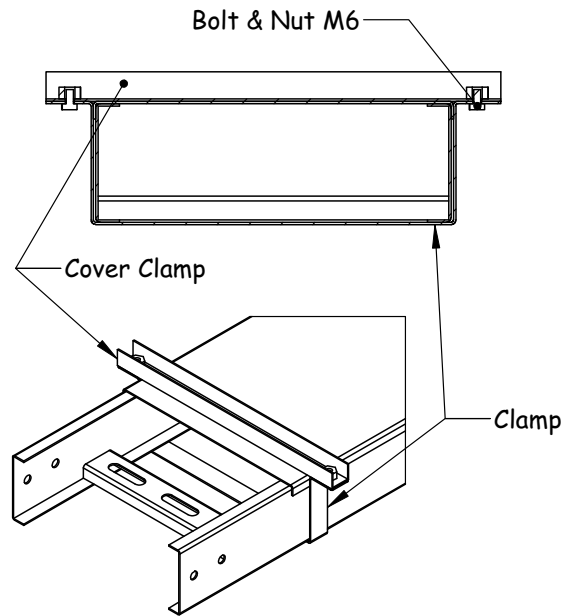
**INSIDE RISER TRAY COVER**



**STRAIGHT REDUCER COVER**



**COVER CLAMP SET TYPE A**



**COVER CLAMP SET TYPE B**

